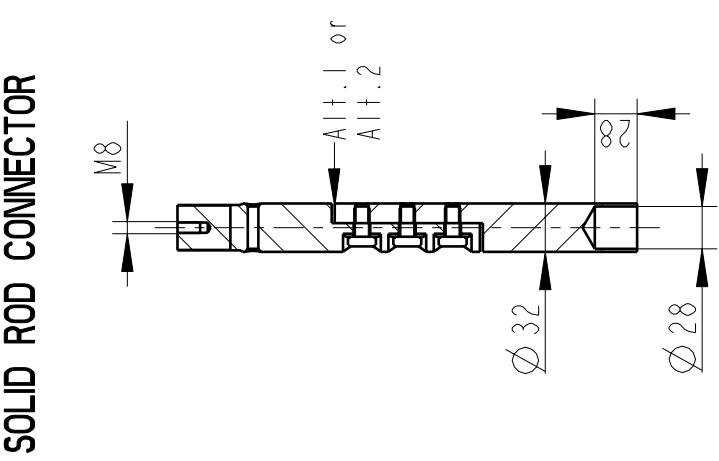
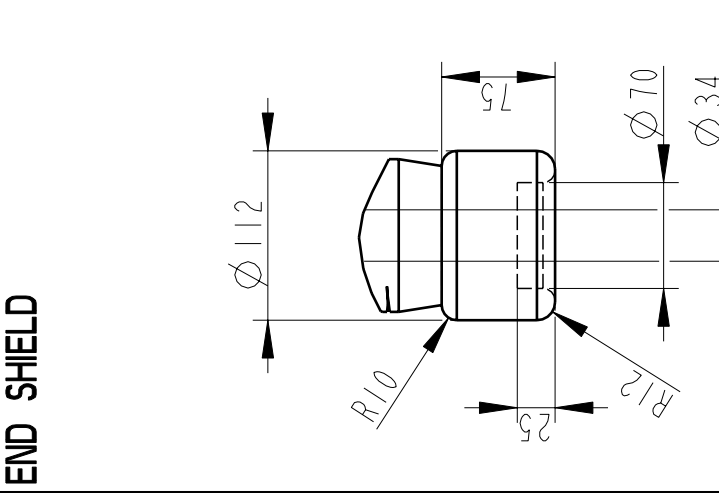


Bushings Data:	
Rated Voltage	52 kV
Phase to Ground Voltage	52 kV
Dry Lightning Impulse I, 2/50 $\mu$ s	250 kV
Wet power frequency AC	105 kV
Routine test Imin dry 50Hz	120 kV
Rated Current	1250 A
Creepage Distance	1500 $\pm$ 50 mm
Creepage Distance Protected	580 mm
Mass	30 kg



Ordering Data:	
<b>BUSHING</b>	COLOUR AIR INSULATOR
LF123168-K	BROWN
-L	LIGHT GREY
<b>OUTER TERMINAL</b>	
LF 170 002-B	Cu, $\phi$ 30, L=125
LF 170 001-B	Al, $\phi$ 30, L=125
OTHER TYPES ON REQUEST	
<b>INNER TERMINAL FOR STRANDED CABLE</b>	
<b>For brazing</b>	Conductor area
LF 170 011-T	up to 285mm <sup>2</sup> $\phi$ 29
LF 170 011-V	Undrilled with pilot hole $\phi$ 5
<b>SOLID ROD CONNECTOR</b>	
LF 170 052 -BF for Alt.1	
LF 170 052 -BD for Alt.2	

The solid rod can be divided either:  
 Alt.1: 20mm below the bushing flange or  
 Alt.2: 20mm below the upper end of the bottom porcelain

We reserve all rights in this document and in the information contained therein. Reproduction, use or disclosure to third parties without express authority is strictly forbidden. ©ABB

Based on		Reg. No.	Title
Prepared	Responsible department		GOB 250-1250-0.3
LÖVNORD	COM/BK		WITH OIL LEVEL GAUGE
Approved	Take over department		SHORT END SHIELD
Johansson	Database		
Design engineering review			
Hedlund			
<b>ABB Components</b>	<b>ABB Components</b>	Document No.	2751369-177
Ludvika, Sweden		Page	I(1)

ABB Components		Ludvika, Sweden	
No.	U / S / AC	kV tr	A 50/60 Hz
U	M	kg L	mm V
C1	C2	pf	Tan $\delta$ r
		pf	Tan $\delta$ r

